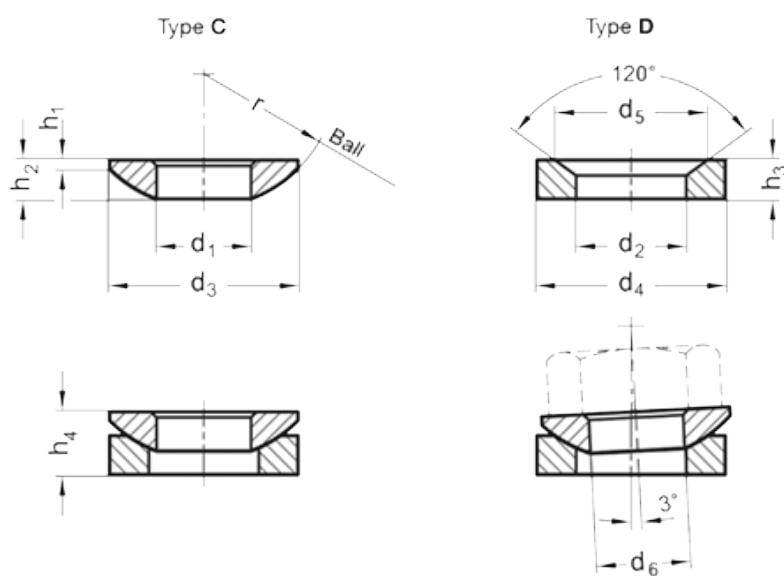


Article number: 208060391

Description: E+G Sphericalwasher female DIN 6319-49-D-NI  
Stainless Steel 1.4305

## Measures



$d_2 = 49.0$

$d_4 = 78$

$d_5 = 70.0$

$d_6 = M42$

$H_3 = 18.0$

$H_4 = 29.0$